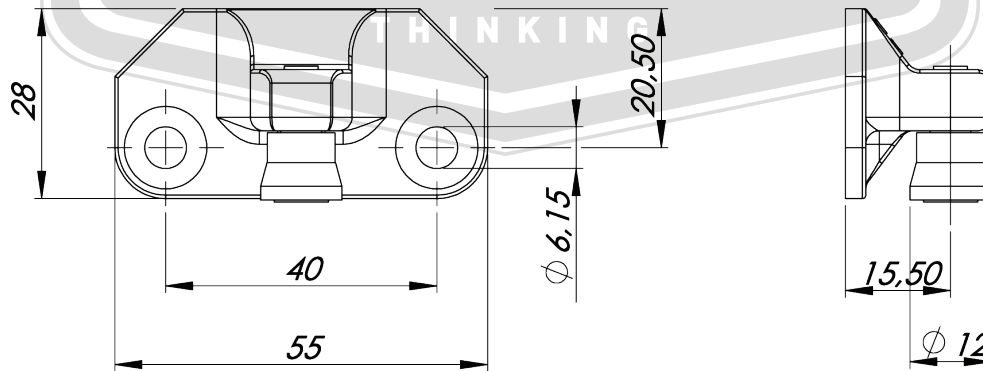
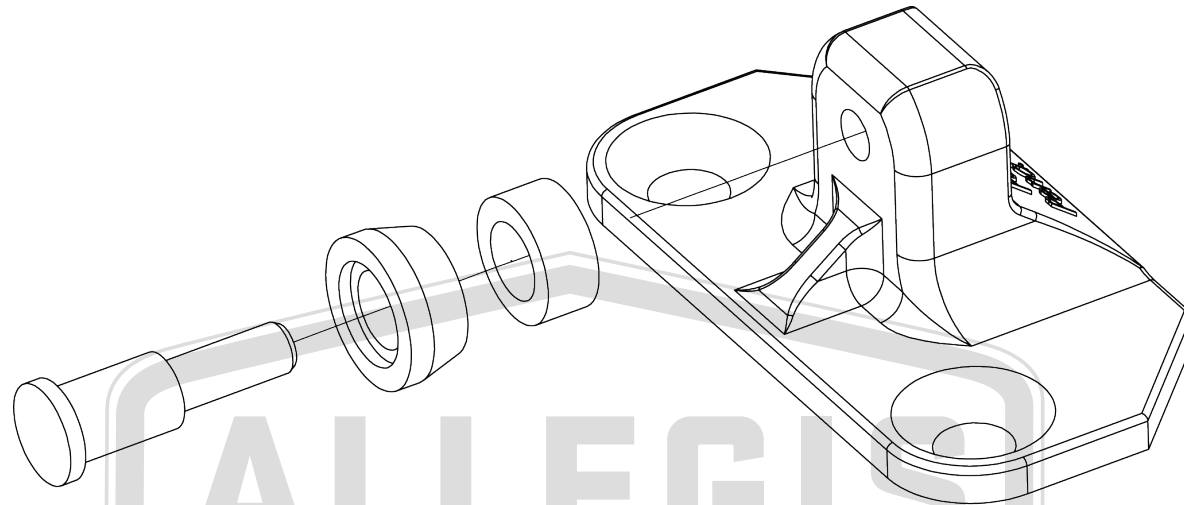


APPROVAL - CUSTOMER NAME & SIGNATURE

DATE



ALLEGIS		1-866-378-7550
MATERIAL:		DRAWING NO. : 131407
FINISH:		
REV. : 1:1		DATE: 6/10/2019